

OL3489N-150/P20

1300nm±20nm 150mW Pulsed MQW Laser Diode Coaxial Module with MMF.

1. DESCRIPTION

OL3489N-150/P20 is a 1300nm Laser Diode in coaxial package with 62.5μm MMF.

2. FEATURES

- Fiber output: Po=150mW
- Pulsed MQW FP Laser
- Coaxial package module
- Multi mode fiber (SMF) 62.5μm

3. APPLICATION

- OTDRs
- Optical measuring instruments

4. OPTICAL AND ELECTRICAL CHARACTERISTICS

(TLD= 25°C, 10μs pulse width and 1% duty)

Parameter	Symbol	Test Conditions	Min.	Typ.	Max.	Unit
Threshold Current	I _{th}	---	---	20	50	mA
Operation Current	I _{op}	Po=150mW	---	600	750	mA
LD Forward Voltage	V _f		---	2.0	3.0	V
Center Wavelength	λ _c		1280	1300	1320	nm
Spectral Width	σ	Po=150mW, RMS×1	---	5	10	nm

5.ABSOLUTE MAXIMUM RATING

(Tc = 25°C, unless otherwise specified)

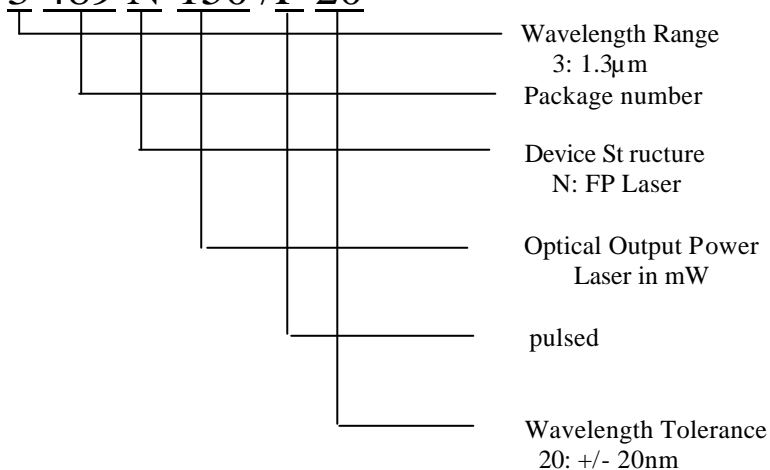
Parameter	Symbol	Rating	Unit
Fiber Output Power	P _o	180*	mW
LD Reverse Voltage	V _{R(LD)}	2.0	V
LD Forward Current	I _{F(LD)}	1000*	mA
Operating Temperature	T _{opr}	-20 to +60	°C
Storage Temperature	T _{stg}	-40 to +85	°C

Pulse width ≤ 10μs , duty ≤ 1%

Exceeding these ratings may lead to immediate destruction or permanent deterioration of the device.

6. CONNECTOR AND FIBER SPECIFICATIONS

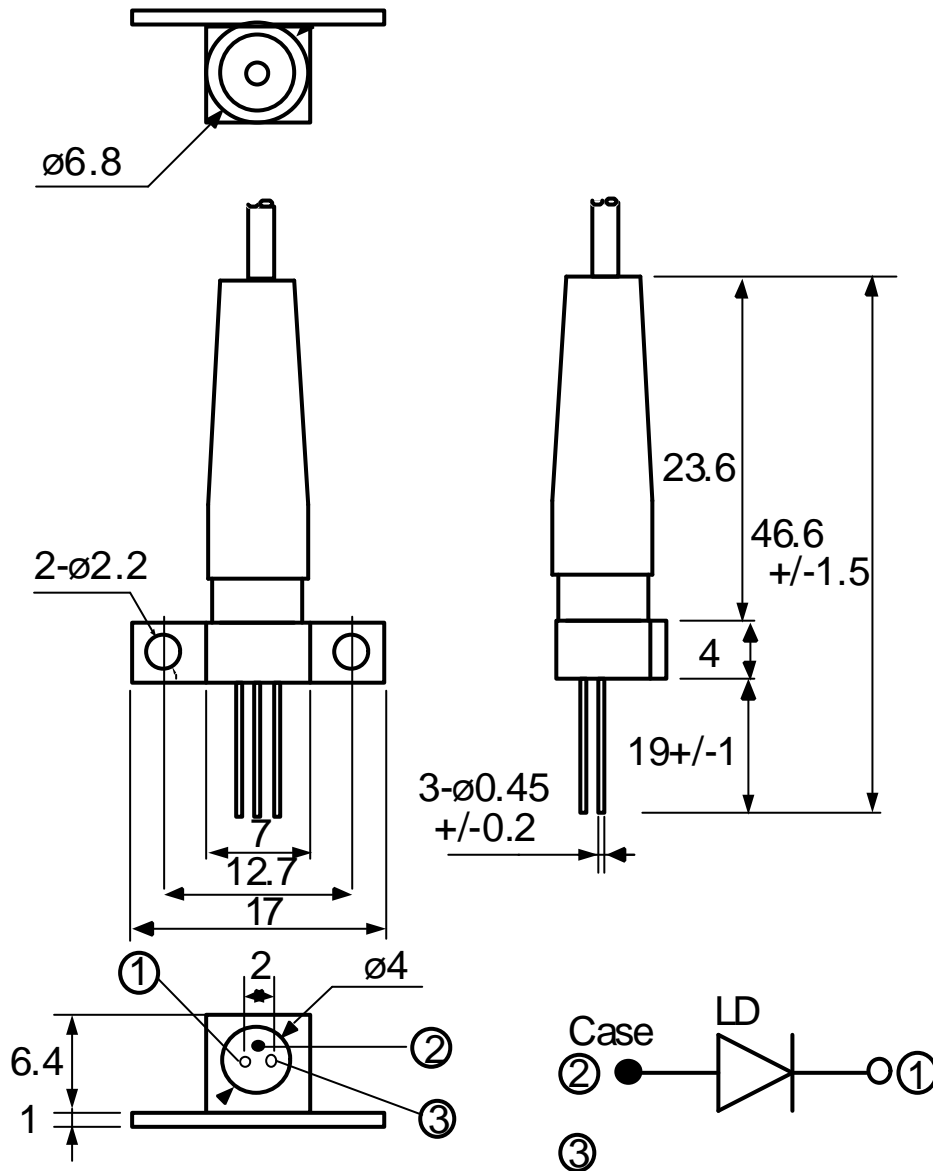
Parameter	Specifications	Unit
Type	MMF	---
Mode Field Diameter	62.5 ± 3	μm
Cladding Diameter	125 ± 3	μm
Jacket Diameter	900	μm
Length	1 (Min.)	m
Connector	FC/PC	---

7.ORDERING INFORMATION**OL 3 489 N-150 /P 20****8.ATTACHED DATA** (at 25°C)

(1) I_f-P_o graph (2) spectrum graph at P_o=150mW (3) operating current (I_{op}) at P_o=150mW (4) Center wavelength (λ_c) at P_o=150mW (5) Spectral Width (σ) at P_o=150mW (6) Threshold current (I_{th})

9.OUTLINE DRAWING

All dimensions in millimeters
 Tolerances unless noted +/-0.5
 Package No. 489(Unit: mm)



10. SAFETY INFORMATION ON THIS PRODUCT



<p>Warning</p> <p>Laser Beam</p>	<p>A laser beam is emitted from this laser diode during operation. The invisible or visible laser beam, directly or indirectly, may cause injury to the eye or loss of eyesight.</p> <p>Do not look directly into the laser beam.</p> <p>Avoid exposure to the laser beam, any reflected or collimated beam.</p>
<p>Caution</p> <p>GaAs Product</p>	<p>The product contains gallium arsenide, GaAs. GaAs vapor and powder are hazardous to human health if inhaled, ingested or swallowed.</p> <p>Do not destroy or burn the product.</p> <p>Do not crush or chemically dissolve the product.</p> <p>Do not put the product in the mouth.</p> <p>Observe related laws and company regulations when discarding this product. The product should be excluded from general industrial waste or household garbage.</p>
<p>Caution</p> <p>Optical Fiber</p>	<p>A glass-fiber is attached on the product. Handle with care.</p> <p>When the fiber is broken or damaged, handle carefully to avoid injury from the damaged part or fragments.</p>

All specifications described herein are subject to change without notice.

Copyright 2001 Oki Electric Industry Co., Ltd