

OL395N-80/P20

1310nm±20nm 80mW Pulsed MQW Laser Diode Coaxial Module with SMF.

1. DESCRIPTION

OL395N-80/P20 is a 1310nm Laser Diode in coaxial package with SMF.

2. FEATURES

- Fiber output: Po=80mW
- Pulsed MQW FP Laser
- Coaxial package module
- Single mode fiber (SMF)

3. APPLICATION

- OTDRs
- Optical measuring instruments

4. OPTICAL AND ELECTRICAL CHARACTERISTICS

(TLD= 25°C, 10μs pulse width and 1% duty)

Parameter	Symbol	Test Conditions	Min.	Typ.	Max.	Unit
Threshold Current	I _{th}	---	---	20	50	mA
Operation Current	I _{op}	Po=80mW	---	600	800	mA
LD Forward Voltage	V _f		---	2.0	3.0	V
Center Wavelength	λ _c		1290	1310	1330	nm
Spectral Width	σ	Po=80mW, RMS×1	---	5	10	nm

5.ABSOLUTE MAXIMUM RATING

(Tc = 25°C, unless otherwise specified)

Parameter	Symbol	Rating	Unit
Fiber Output Power	P _o	96*	mW
LD Reverse Voltage	V _{R(LD)}	2.0	V
LD Forward Current	I _{F(LD)}	1000*	mA
Operating Temperature	T _{opr}	-20 to +60	°C
Storage Temperature	T _{stg}	-40 to +85	°C

Pulse width ≤ 10μs , duty ≤ 1%

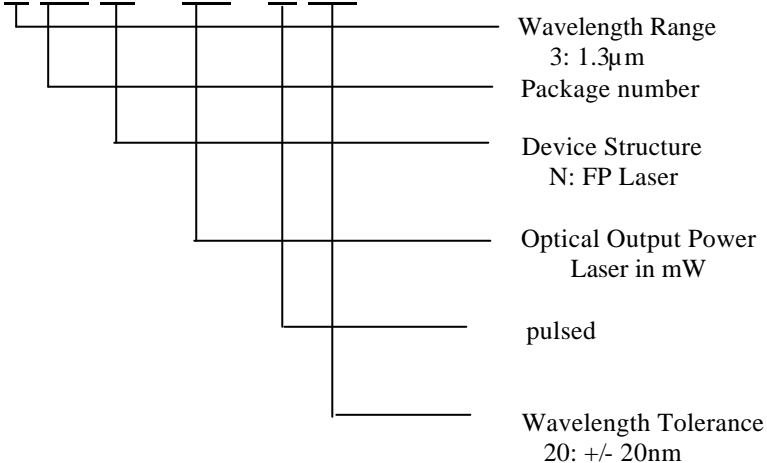
Exceeding these ratings may lead to immediate destruction or permanent deterioration of the device.

6. CONNECTOR AND FIBER SPECIFICATIONS

Parameter	Specifications	Unit
Type	SMF	---
Mode Field Diameter	10±1	μm
Cladding Diameter	125±2	μm
Jacket Diameter	900	μm
Length	1 (Min.)	m
Connector	FC/SPC	---

7.ORDERING INFORMATION

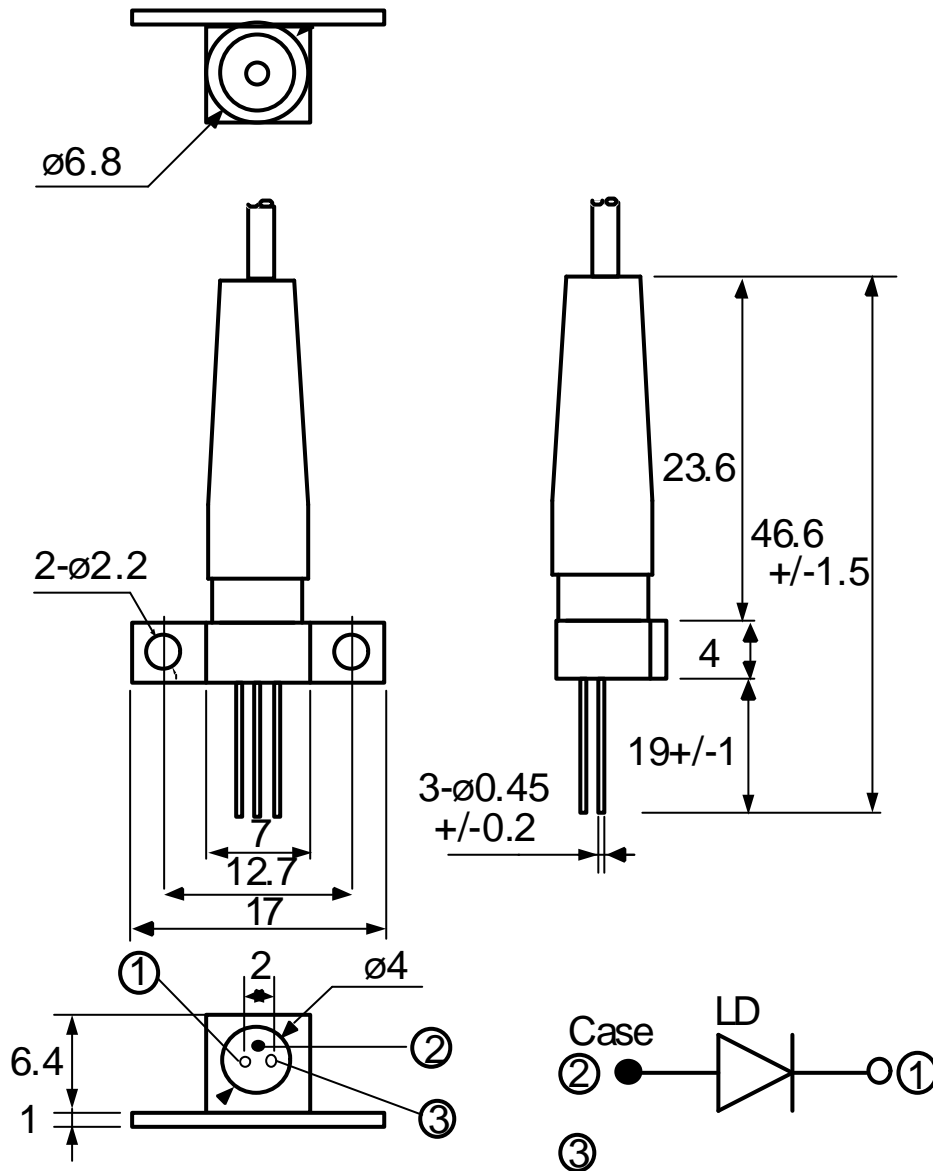
OL 3 95 N – 80 / P 20

**8.ATTACHED DATA** (at 25°C)

(1) I_f-P_o graph (2) spectrum graph at P_o=80mW (3) operating current (I_{op}) at P_o=80mW (4) Center wavelength (λ_c) at P_o=80mW (5) Spectral Width (σ) at P_o=80mW (6) Threshold current (I_{th})

9.OUTLINE DRAWING

All dimensions in millimeters
 Tolerances unless noted +/-0.5
 Package No. 95(Unit: mm)



10. SAFETY INFORMATION ON THIS PRODUCT



<p>Warning</p> <p>Laser Beam</p>	<p>A laser beam is emitted from this laser diode during operation. The invisible or visible laser beam, directly or indirectly, may cause injury to the eye or loss of eyesight.</p> <p>Do not look directly into the laser beam.</p> <p>Avoid exposure to the laser beam, any reflected or collimated beam.</p>
<p>Caution</p> <p>GaAs Product</p>	<p>The product contains gallium arsenide, GaAs. GaAs vapor and powder are hazardous to human health if inhaled, ingested or swallowed.</p> <p>Do not destroy or burn the product.</p> <p>Do not crush or chemically dissolve the product.</p> <p>Do not put the product in the mouth.</p> <p>Observe related laws and company regulations when discarding this product. The product should be excluded from general industrial waste or household garbage.</p>
<p>Caution</p> <p>Optical Fiber</p>	<p>A glass-fiber is attached on the product. Handle with care.</p> <p>When the fiber is broken or damaged, handle carefully to avoid injury from the damaged part or fragments.</p>

All specifications described herein are subject to change without notice.

Copyright 2001 Oki Electric Industry Co., Ltd