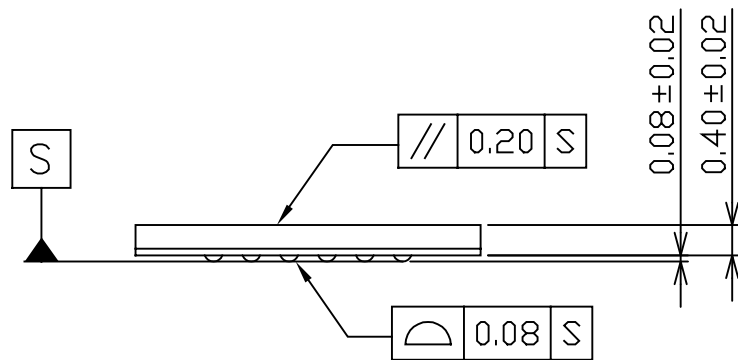
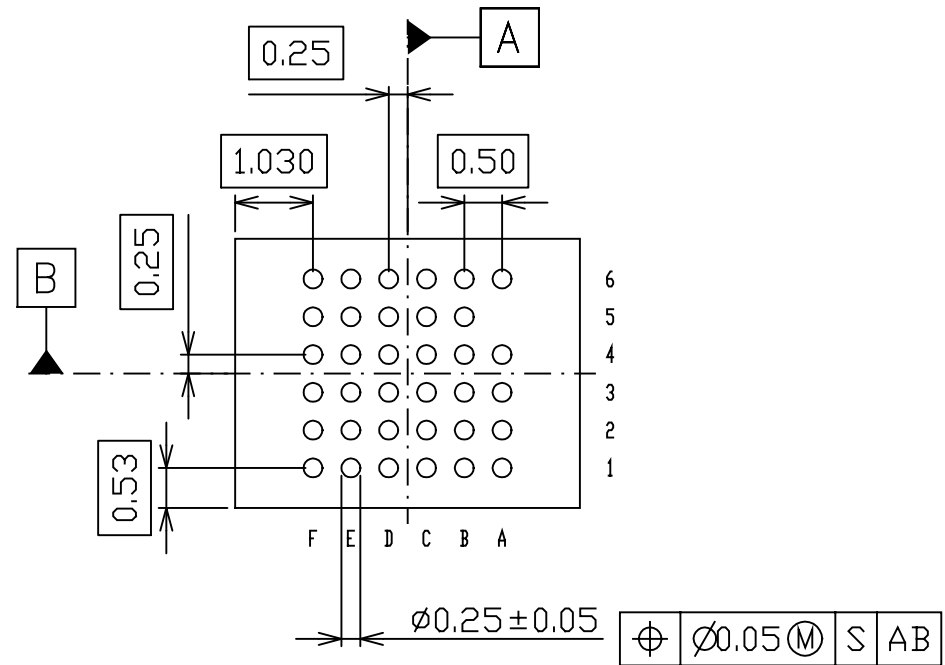
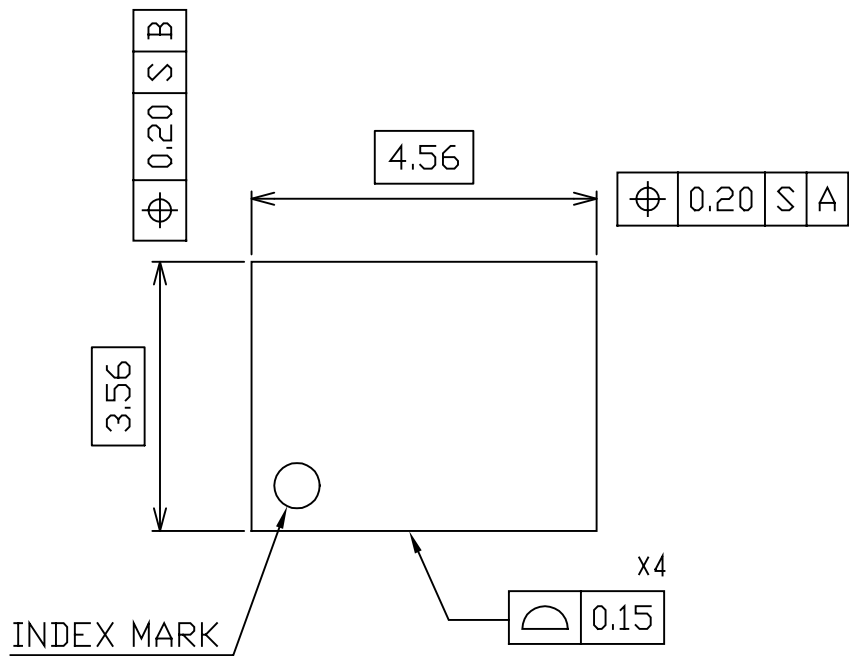


PRELIMINARY



注記

1. 端子ピッチは端子中央部の位置で規定する。
2. 図面寸法は樹脂バリは含まない。

NOTES:

1. THE TERMINAL PITCH MEANS THE DISTANCES BETWEEN THE TERMINAL CENTERS.
2. PACKAGE OUTLINE DOES NOT INCLUDE MOLD FLASH.

DKI ELECTRIC INDUSTRY Co.,LTD.					
PACKAGE MATERIAL	EPOXY RESIN	UNIT	mm	SCALE	10/1
TERMINAL MATERIAL	Sn/Pb	DWG No.	QSL-XXXXX		
PACKAGE MASS (g)		TITLE	P-VFLGA35-3.56X4.56-0.50-W		
		DESIGNED		/ /	
		CHECKED		/ /	
		APPROVED		/ /	
REVISION	1	REVISED	/ /	ISSUED	/ /