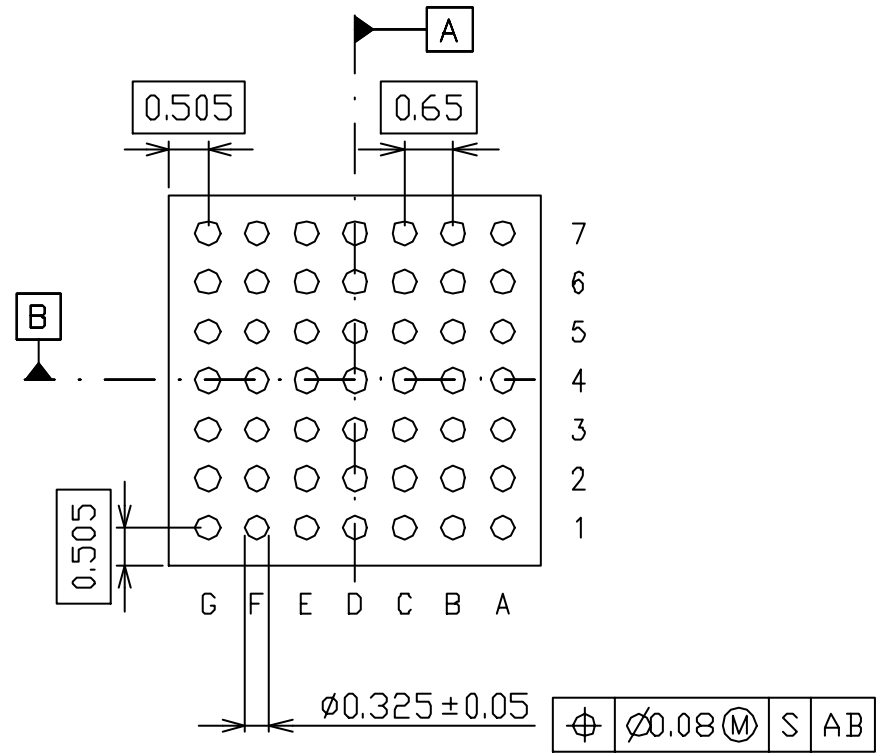
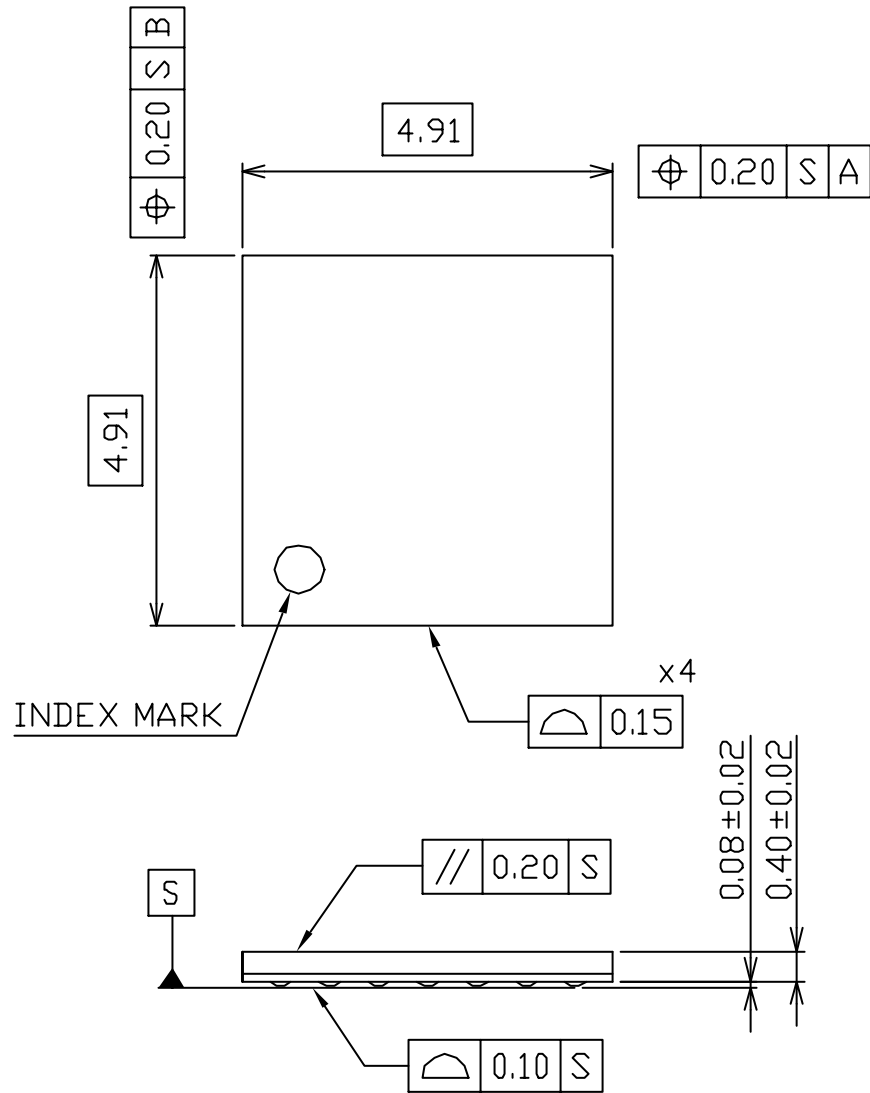


PRELIMINARY



注記

1. 端子ピッチは端子中央部の位置で規定する。
2. 図面寸法は樹脂バリは含まない。

NOTES:

1. THE TERMINAL PITCH MEANS THE DISTANCES BETWEEN THE TERMINAL CENTERS.
2. PACKAGE OUTLINE DOES NOT INCLUDE MOLD FLASH.

OKI ELECTRIC INDUSTRY Co.,LTD.					
PACKAGE MATERIAL	EPOXY RESIN	UNIT	mm	SCALE	10/1
TERMINAL MATERIAL	Sn/Pb	DWG No.	QSL-XXXXXX		
PACKAGE MASS (g)		TITLE	P-VFLGA49-4.91X4.91-0.65-W		
		DESIGNED			/ /
		CHECKED			/ /
		APPROVED			/ /
REVISION	I	REVISED	/ /	ISSUED	/ /