

Real Time Clock LSI

ML9072/9073/9074

PRELIMINARY

■ Features

The ML907x is a real time clock LSI optimized for low voltage and low current consumption.

The time/date provides second, minute, hour, day, week, month and year information. The clock operates in either 24-hour and 12-hour format. In addition to its clock and calendar functions, the ML907x enables 30 seconds adjustment, fixed period interrupt and start/stop functions.

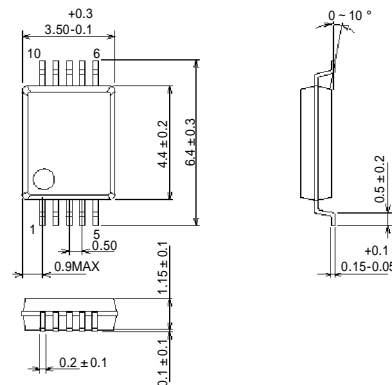
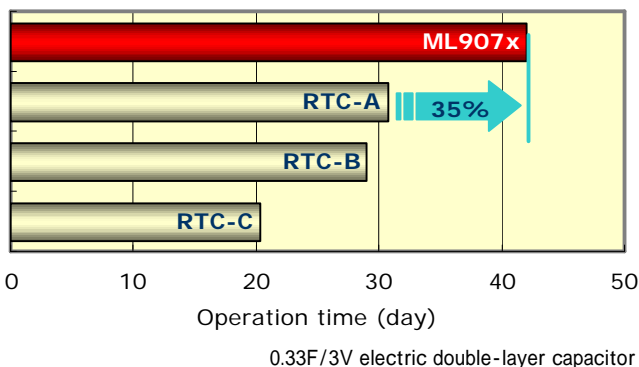
All address and data are transferred serially through a 2-line(I2C) bus or 3-line bus.

■ Specifications

ML9072/ML9073/ML9074 Specifications			
Spec.	ML9072	ML9073	ML9074
Operation Voltage	1.1 ~ 3.6V		
Clock Operation Voltage	0.8(target) ~ 3.6V		
IDD (Clock Operation)	typ. <=0.2uA	typ.0.1uA(target)	
Interface	3-line serial 1MHz(>1.5V), 100kHz(>1.1V)	I2C 400kHz(>1.5V), 100kHz(>1.1V)	3-line serial 1MHz(>1.5V), 100kHz(>1.1V)
Real Time Clock	sec.,min.,hour,day,week,month,year		
	Leap-year compensation (2000 ~ 2099)		
	30 sec. Adjustment		
	24-hour/12-hour format		
Alarm	—	min, hour, week	
Interrupt	fixed period (1/64sec,1sec,1min,1hour)	fixed period (1/64sec,1sec,1min,1hour) & Alarm	
Other Feature	Oscillation stop detector Power on Reset	Oscillation stop detector Power on Reset Voltage level detector	
Operating Temperature	-40 ~ 85°C		
Package	10pin SSOP		

Low voltage, Low current Operation

Package Outline



This is a product introduction, not the products' data sheet. Specification are subject to change without notice.

OKI Electric Industry Co., Ltd., Silicon Solutions Company

Japan: www.okisemi.com/jp/english/, USA: www.okisemi.com/us/, Europe: www.okisemi.com/eu/, Taiwan: www.okisemi.com/tw/,

Hong Kong: www.okisemi.com/hk/, Shanghai: www.okisemi.com/sh/, Singapore: www.okisemi.com/sg/