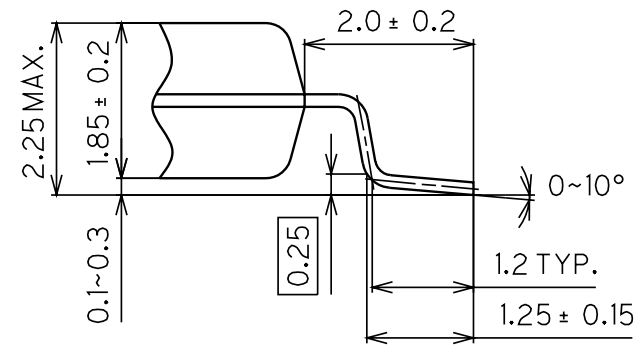
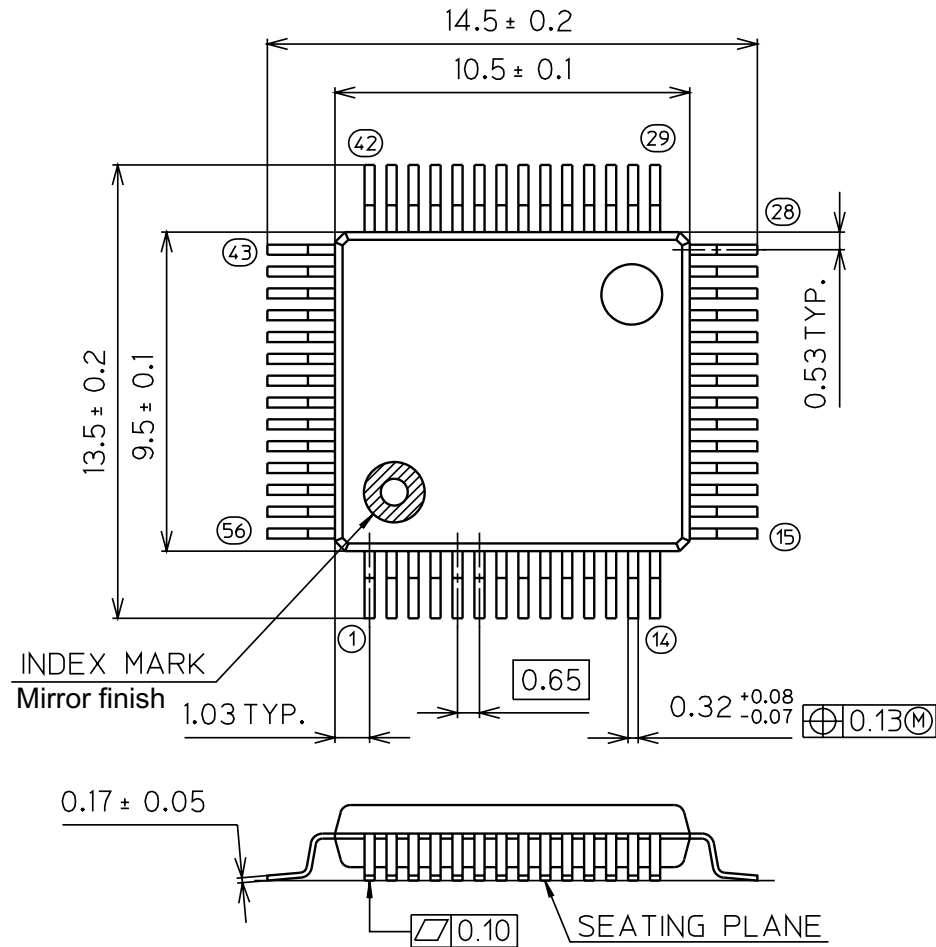


QFP56-P-910-0.65-2K



Package material	Epoxy resin
Lead frame material	42 alloy
Pin treatment	Solder plating ($\geq 5\mu\text{m}$)
Package weight (g)	0.43 TYP.
Rev. No./Last Revised	4/Nov. 28, 1996

Oki Electric Industry Co., Ltd.