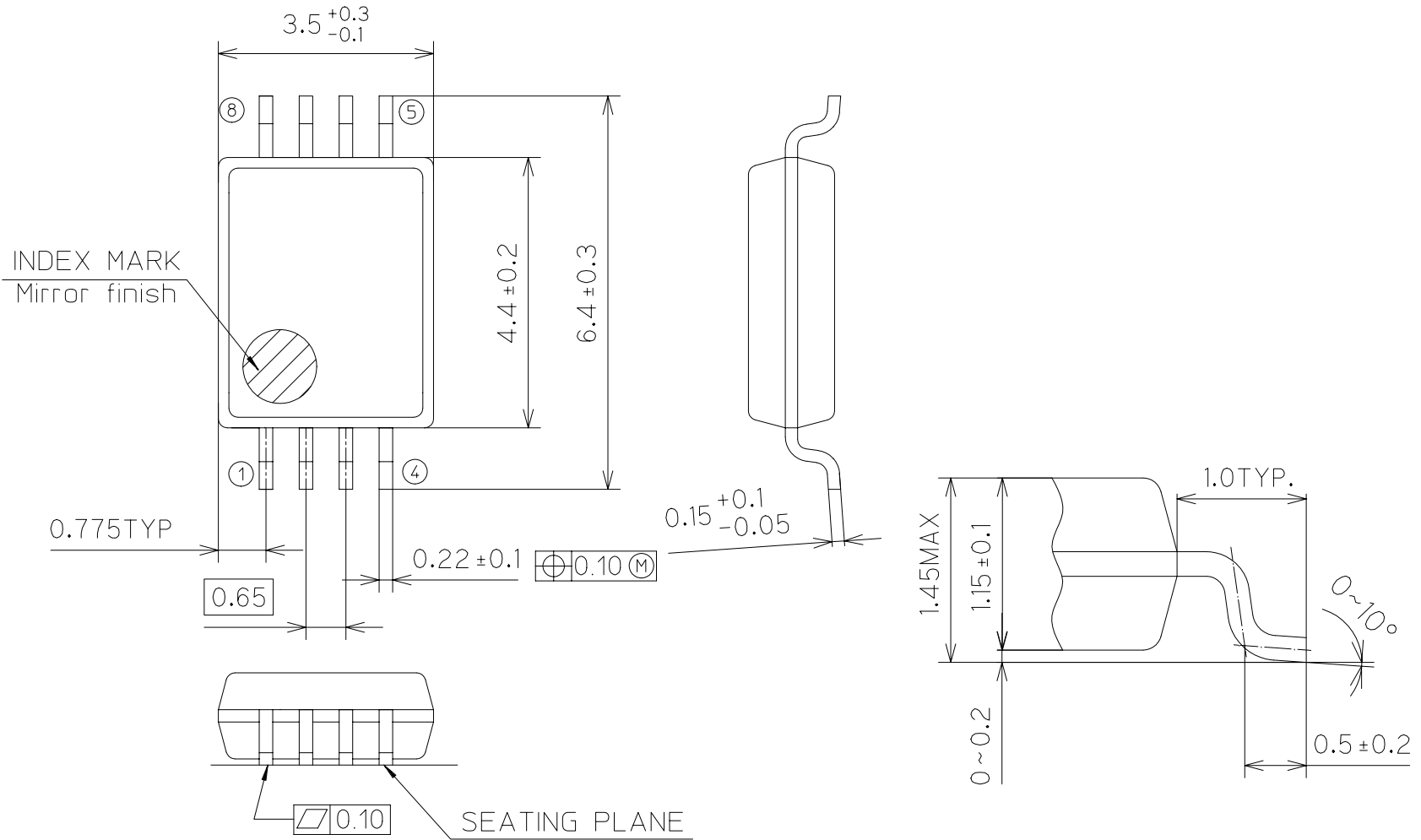


SSOP8-P-44-0.65-K



Package material	Epoxy resin
Lead frame material	42 alloy
Pin treatment	Solder plating ($\geq 5\mu\text{m}$)
Package weight (g)	0.044 TYP.
Rev. No./Last Revised	1/May.12,1999