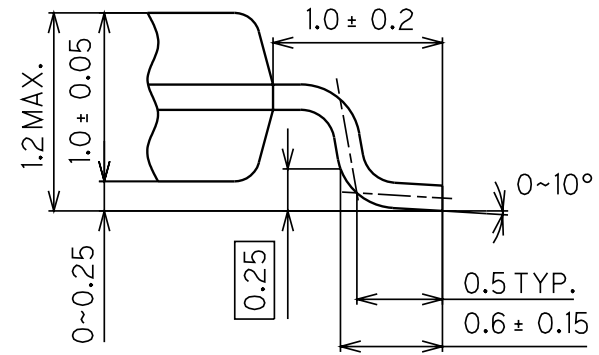
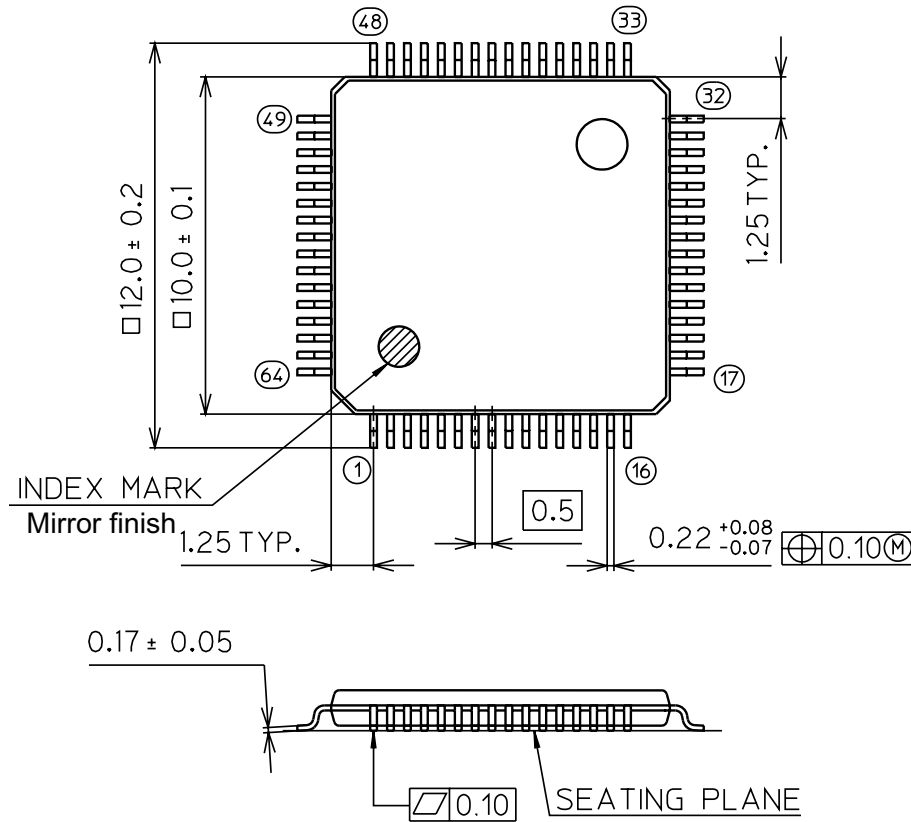


TQFP64-P-1010-0.50-K



Oki Electric Industry Co., Ltd.

Package material	Epoxy resin
Lead frame material	42 alloy
Pin treatment	Solder plating ($\geq 5\mu\text{m}$)
Package weight (g)	0.26 TYP.
Rev. No./Last Revised	4/Oct. 28, 1996